



P. Spreier & Prof. Dr. F. Neumann

Workshop on the content and application scenarios of 3D PDF

3D PDF meets Berlin

15.05.2017

Overview

- Welcome and introduction
- Agenda
- Organization

Welcome and Introduction

Welcome to participants

- From Berlin ...
- From companies and institutions
- From different domains/ industries

Background story

- Meeting of the ISO working groups in Berlin
- Idea to benefit from ISO PDF meetings in Berlin to host a workshop

Objectives

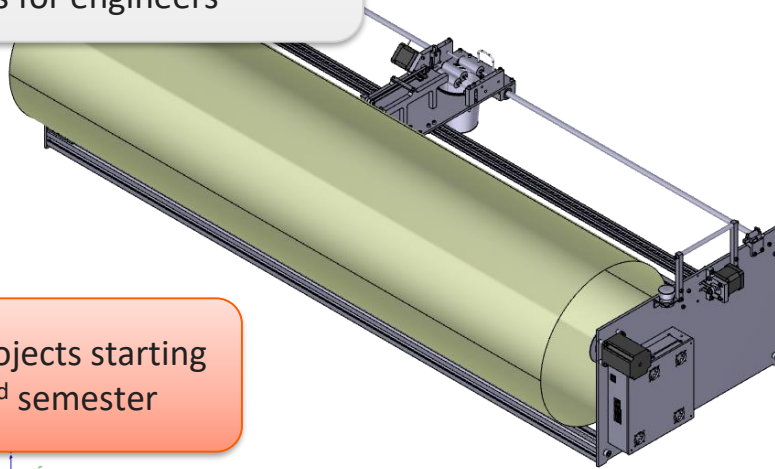
- Present potentials of 3D PDF
- Show applications from different domains
- Answer questions on PRC and its application

Program of study „Engineering Informatics“

Founded in 2011 as interdisciplinary program of study focusing on IT systems for engineers

Courses in:
Mechanical Engineering
Mechatronics
Computer Science
CAD

Informatics projects starting from the 3rd semester



Currently approx. 200 students aiming at a Bachelor's degree

3D PDF Consortium



The international developer of PDF standards

Non-profit

Dedicated to open standards

Experts in PDF for mechanical engineering

Membership includes end user companies, software developers, consultants, government and educational organizations

Agenda (1)

10:00 – 11:30	Phil Spreier (<i>Technical Director, 3D PDF Consortium</i>)/ Prof. Neumann (<i>HTW Berlin</i>)	Welcome by the organizers and short overview on the agenda
	Prof. Knaut (<i>HTW Berlin</i>)	Welcome by the Vice-President for Research and International Affairs of HTW Berlin Overview on the HTW Berlin and its Campus Wilhelminenhof
	Phil Spreier (<i>Technical Director, 3D PDF Consortium</i>)	The content of the 3D PDF format and its overall usage scenarios
	Peter Noyes (<i>Principal Engineer, Bluebeam Corp.</i>)	Applying 3D PDF within Building Information Modeling (BIM)

Agenda (2)

12:30 – 14:30	Rolf Laudenbach (<i>Director Customer Solutions, Aras</i>)	3D PDF for Visual Collaboration on Engineering Data in PLM
	Prof. Neumann (<i>HTW Berlin</i>)	Applying 3D PDF within shape-based similarity search
	Andreas Vogel (<i>Consulting Engineer, Tech Soft 3D</i>)	Developing applications with 3D PDF – technical dive
	Phil Spreier (<i>3D PDF Consortium</i>)/ Prof. Neumann (<i>HTW Berlin</i>)	Questions and answers with all speakers Closing remarks

Organization (1)

WIFI- Access:

- If you come from another university, you can simply use **eduroam** through your university account
- If not:
 - Please get a WIFI voucher at the registration desk
 - Use the „Gast@HTW“ WIFI network and the preshared key „htwberlin10“
 - Go to your web browser and direct it to any website
 - You will be asked for the credentials from the WIFI voucher

Organization (2)

Frequently Asked Questions on 3D PDF:

- On objective of the workshop is to discuss and answer questions on the PRC format and its application
- If you haven't posted your question yet, please raise them during the final round of the workshop
- The collection of questions and answers will be published under **FAQ** at the workshop's website <http://3dpdf.f2.htw-berlin.de/>

Organization (3)

Publishing of slides:

- The slides of all presentations will be made available in a couple of days under: <http://3dpdf.f2.htw-berlin.de/>